

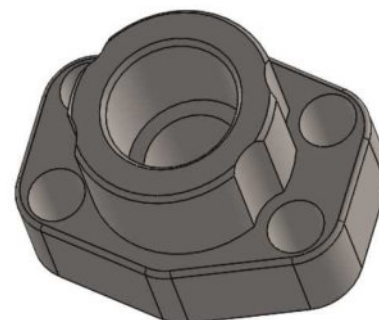
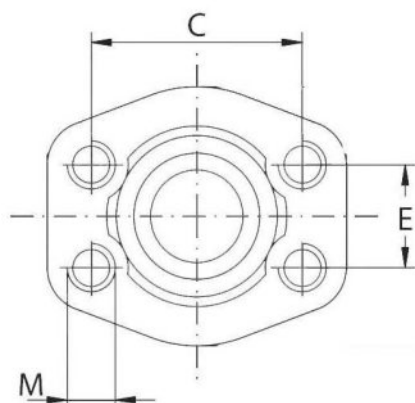
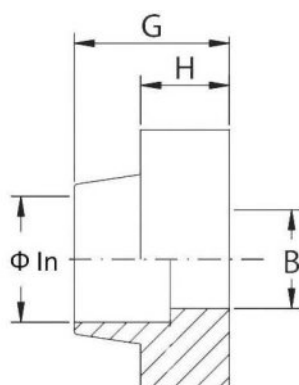
Bridas SAE

Bridas soldables tubo Métrico

## Contrabrida soldable hembra tubo métrico



Acero Inoxidable AISI 316-L



Artículo	Serie	Ø int	Tamaño	B	C	E	G	H	M
<b>ZBCSM308203</b>	3000 PSI	20.3	1/2"	13	38,1	17,48	36	16	M8
<b>ZBCSM312253</b>	3000 PSI	25.3	3/4"	19	47,63	22,23	36	18	M10
<b>ZBCSM316303</b>	3000 PSI	30.3	1"	25	52,37	26,19	38	18	M10
<b>ZBCSM320383</b>	3000 PSI	38.3	1"1/4	32	58,72	30,18	41	21	M10
<b>ZBCSM324505</b>	3000 PSI	50.5	1"1/2	38	69,85	35,71	45	25	M12
<b>ZBCSM608203</b>	6000 PSI	20.3	1/2"	13	40,49	18,24	36	16	M8
<b>ZBCSM612253</b>	6000 PSI	25.3	3/4"	19	50,8	23,8	35	21	M10
<b>ZBCSM616303</b>	6000 PSI	30.3	1"	25	57,15	27,76	42	25	M12
<b>ZBCSM620383</b>	6000 PSI	38.3	1"1/4	32	66,68	31,75	45	27	M14
<b>ZBCSM624505</b>	6000 PSI	50.5	1"1/2	38	79,38	36,5	50	30	M16